



SmartBin



SmartBin For Returns

P.V. Supa SmartBin is made for storing returned material that is to be circulated by library staff. SmartBin has an electronically controlled lock that only opens when returned material is designated to go into the SmartBin. After the material has been dropped in the SmartBin, the hatch lock closes again. Typically, expensive material such as CDs and DVDs are returned to a SmartBin so that their condition can be checked before releasing back to circulation.

The SmartBin is connected to a P.V. Supa RFID self-check unit running LibRid software. The Self-check unit guides the patron to put the returned material into the

correct bin or into the SmartBin. There are also traffic lights in the SmartBin that guide the patron. An RFID reader inside the SmartBin checks the material again, and only opens the electronic lock if a correct item is detected. If a patron tries to insert material that doesn't belong to the SmartBin, the lock stays closed. Because the lock also stays closed between check ins the patrons can't get the material from the bin before the staff has checked them.

Inside the SmartBin is a bin equipped with wheels, which is very easy to change for an empty one. Self-check unit also notes automatically when the bin is full and needs to be emptied.

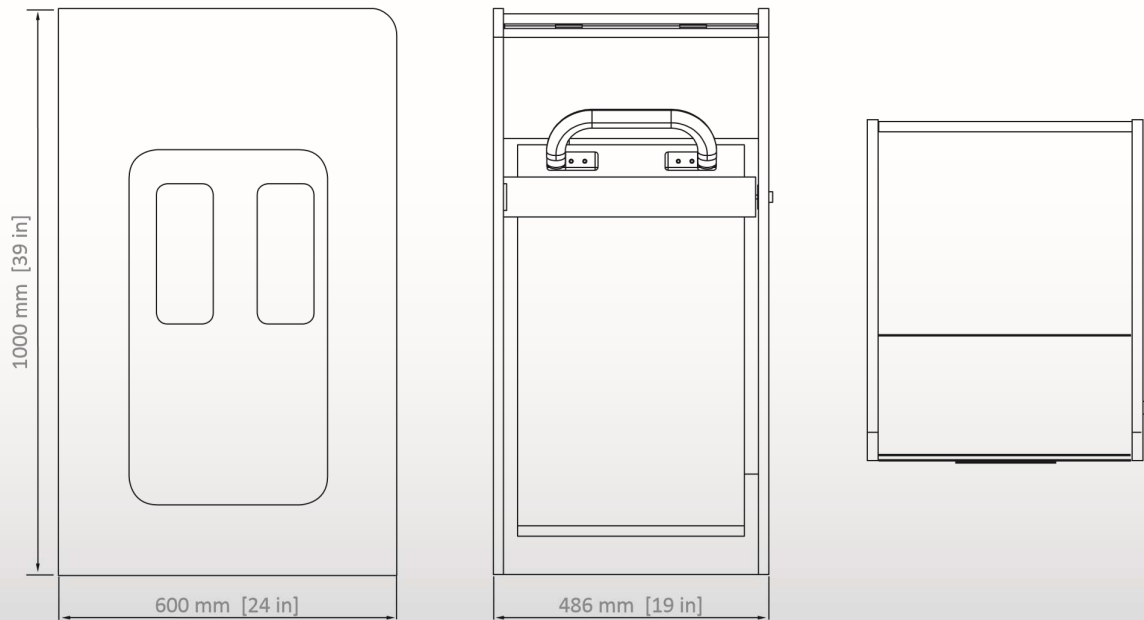
› SmartBin for returns

› Connected to a self-check unit

› Identifies the material that will be dropped in to the bin

› Electronic lock secures valuable returned material

› Possibility to check the returned material before circulation



GENERAL:

- › Functions: Return items to a closed bin with self-check unit
- › Item Identification: RFID
- › Security: RFID (AFI/EAS)
- › RFID Standards: ISO15693, 18000-3-1
- › RFID Data Models: DDM, KATVE, TechLogic, TV2, 3M, TRC, ITG, ITG2 or ISO28560

COMPATIBILITY AND PROGRAMS:

- › Connected to a P.V. Supa RFID self-check unit
- › Operating system: Windows XP or 7
- › Software: LibRid
- › Connectivity: Protocol: TCP/IP, LMS: SIP 2

TECHNICAL INFORMATION:

- › Capacity: ca. 100 books
- › Input Voltage: 100-240 V
- › Dimensions: 19 x 39 x 24 inch
- › Colors: From color chart
- › Certificates: CE RoHS