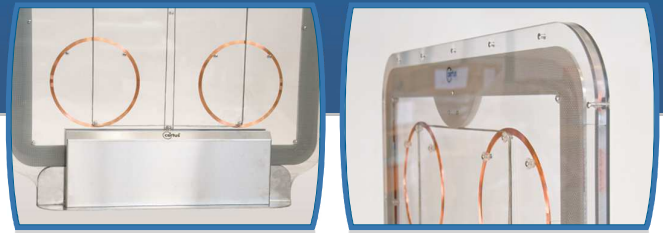




Hybrid Security Gates



Security Gates for Combined RFID and EM Security

While more and more libraries are moving to RFID technology, any material that has old EM security technology must still be secured correctly. To reasonably implement this, gates that cover both RFID and EM security systems are required.

The Hybrid security gates by P.V. Supa are a perfect solution for libraries moving to RFID technology. These gates run both technologies side by side. The excellent detection area of the gates will ensure that material activated by either EM or RFID technology will cause an alarm when it is carried through the gate in any position.

Items that have already been checked out, where the strip/tag has been deactivated, won't cause an alarm on the gates. Because the gates are equipped with modern interference removal, no false alarms are caused by wheelchairs, mobile phones or eye glasses. an automatic adjustment always finds the most effective operating mode.

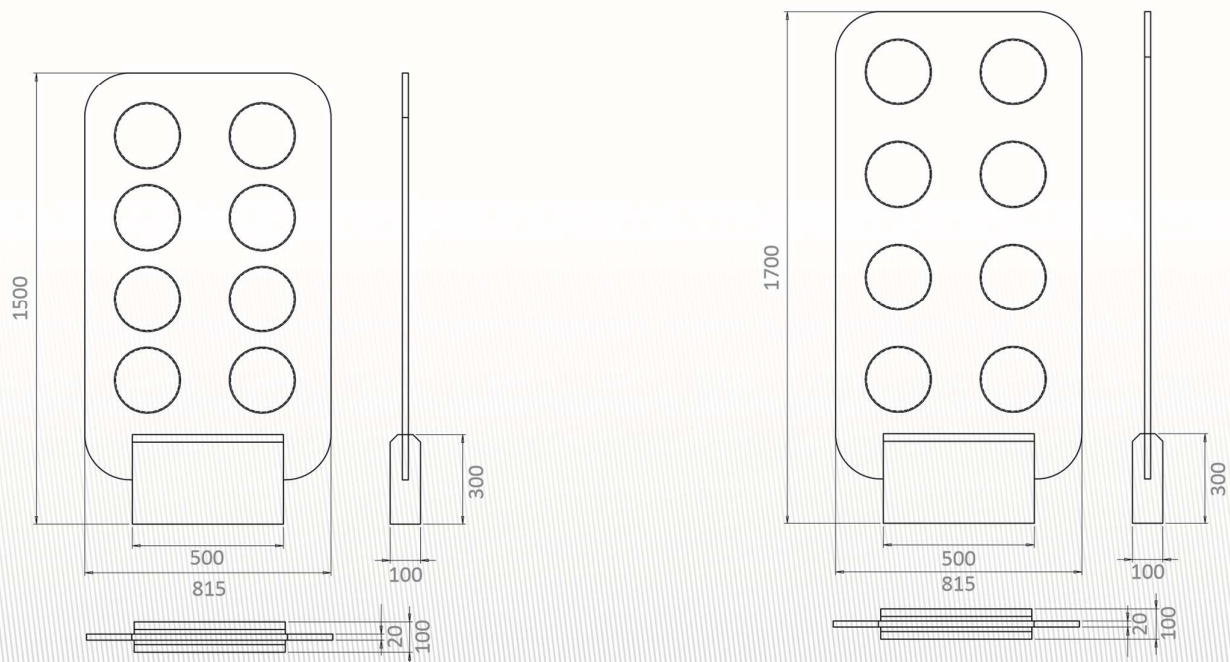
Hybrid security gates are manufactured from clear Plexiglas®. the transparent and slim material creates a sense of space, invaluable for congested entrances. this kind of design is also very popular among architects.

› Attractive plexiglass design that creates a sense of space

› Trustable protection

› perfect for libraries that are moving towards RFID

› Uses simultaneously EM and RFID labels that can be deactivated and reactivated



GENERAL:

- › Functions: Security (alarm volume adjustable)
- › Security: EM and RFID labels
- › RFID standards: ISO 15693 and ISO 18000-3.1
- › Areas of application: Libraries that slowly move to RFID
- › Options: patron counter

COMPATIBILITY:

- › EM alarm types: 3M, Colinear, Sensormatic, Knogo, 2M, Tagit
- › Excellent tolerance for interference

TECHNICAL INFORMATION:

- › 1-2 entrances with one control unit
- › Maximum width for one entrance: 1.1 m (alarm strip 8.8 cm)
- › Frequency: 488 Hz
- › Dimensions: (L x W x H) 815x100x1500 or 1700 mm
- › Weight (2 panels): 70 kg (1500 mm) and 82 kg (1700 mm)
- › Certificates: 